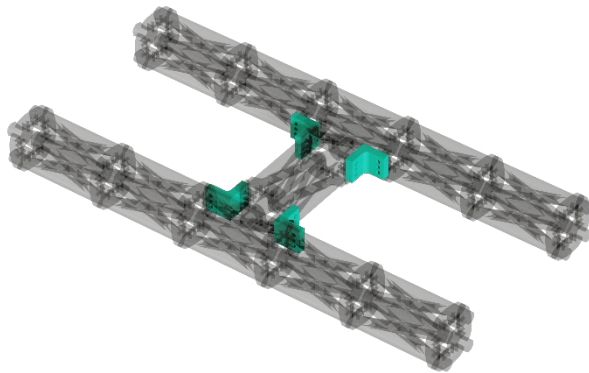
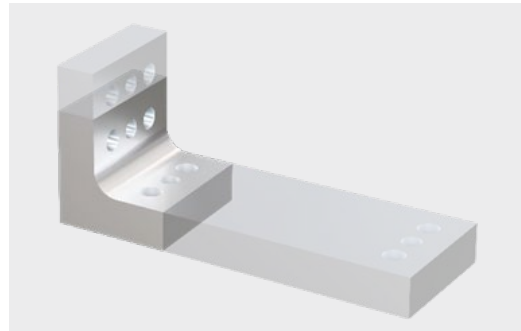


FFT *lightweight* FibreTEC Brackets

Highlights:

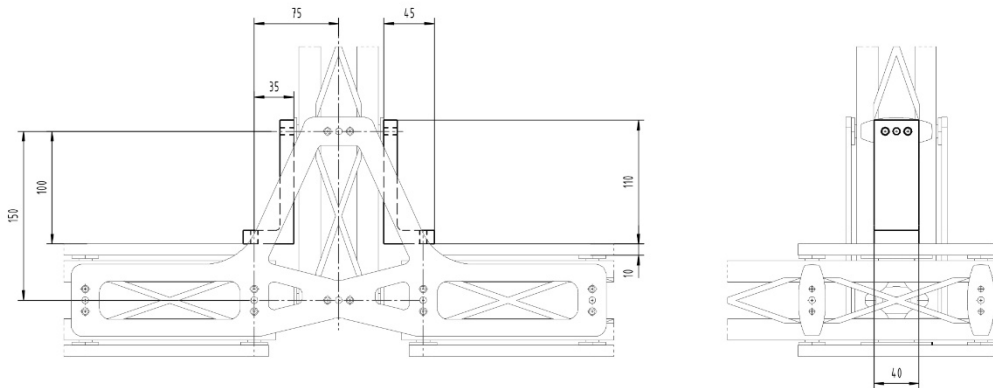
- FLW810008**521-533**
- für FibreTEC Profile SW80
- Material EN AW-7075



Optionales Schraubverbindungsset 5 mm

Innensechskantschraube	ISO4762 M6 x 25 – 10.9
Nordlock-Scheiben	NL 6
Zylinderstift	ISO08735 6m6 x 18

Beispiel: Maßblatt für 45 mm x 110 mm:



Vorschau	Artikelnummer	Abmessungen (mm)	Gewicht (kg)
	FLW81000521	35 × 35 mm	0,16 kg
	FLW81000523	35 × 45 mm	0,20 kg
	FLW81000525	40 × 40 mm	0,21 kg
	FLW81000527	40 × 45 mm	0,23 kg
	FLW81000529	45 × 45 mm	0,26 kg
	FLW81000531	45 × 115 mm	0,63 kg
	FLW81000533	45 × 110 mm	0,63 kg

All information regarding the properties and usability of our products is provided for informational purposes only and does not constitute a guarantee of characteristics. The scope and content of our deliveries and services are determined solely by the respective contractual agreement. Technical data and illustrations are non-binding. We reserve the right to make changes at any time during technical developments.