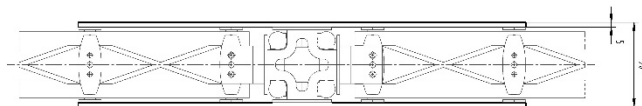
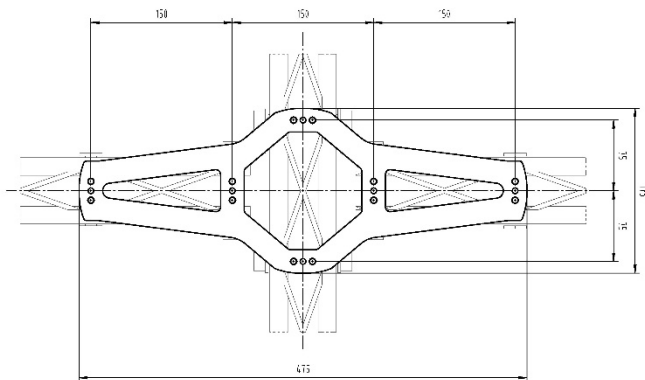
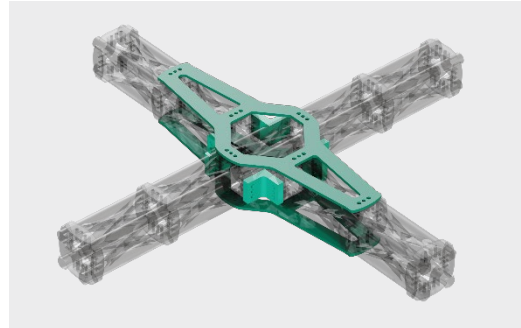


FFT *lightweight* FibreTEC X-Connector

Highlights:

- FLW810008**327/328**
- for FibreTEC Profile SW80
- For a connection according to specification, you need:
 - 2x X-Connectors
 - 4x bracket FLW81000**529**
 - 1x Connection set (optional)



Basic Data

| | |
|----------|-----------------------|
| Length | 475 mm |
| Width | 175 mm |
| Height | 5 mm / 10 mm |
| Weight | ca. 0,38 kg / 0,77 kg |
| Material | EN AW-7075 |

Optional screw connection set 5mm

| | |
|-----------------|---------------------------|
| Cylinder screws | ISO4762 M6 x 20 – 10.9 |
| Nordlock washer | NL 6 |
| Cylinder pins | ISO08735 6m6 x 14 |

Optional screw connection set 10mm

| | |
|-----------------|---------------------------|
| Cylinder screws | ISO4762 M6 x 28 – 10.9 |
| Nordlock washer | NL 6 |
| Cylinder pins | ISO08735 6m6 x 18 |