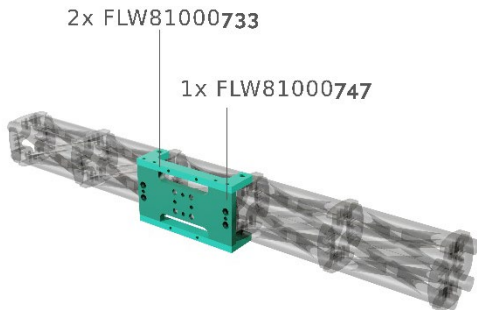
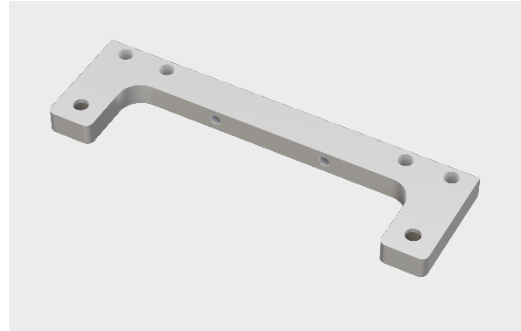


FFT *lightweight* FibreTEC Mounting

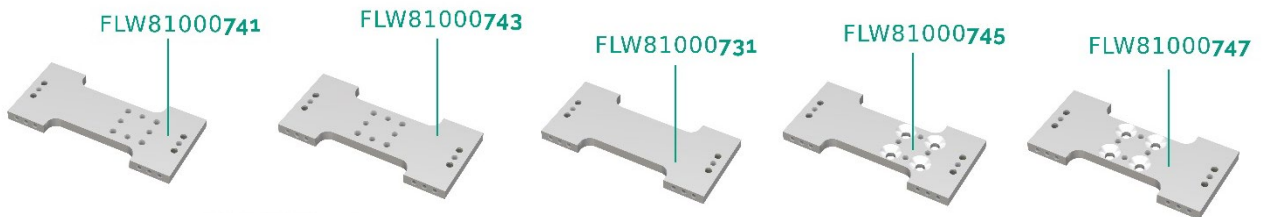
Highlights:

- FLW81000**733**
- for FibreTEC Profile SW80
- support plate
- For a connection in accordance with the specifications, you will need:
 - 2x support plates
 - 1x connection plate

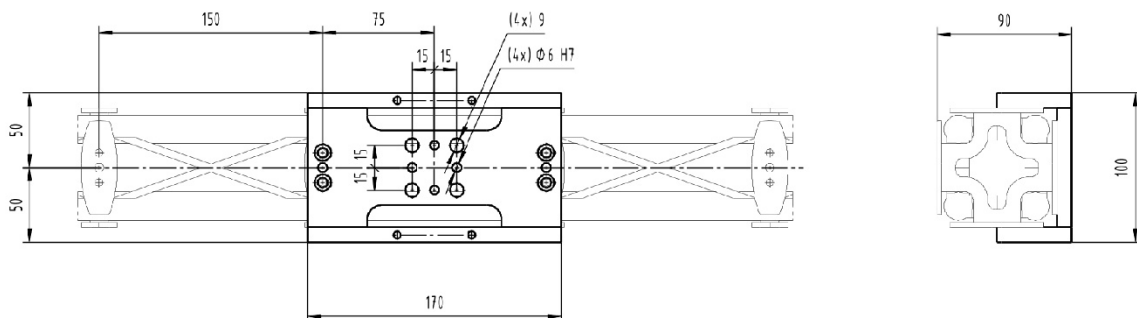


Basic Data	
Length	170 mm
Width	50 mm
Height	10 mm
Weight	Ca. 0,13 kg
Material	EN AW-7075

Connection plates:



Example: FLW81000**733** / **747**



All information regarding the properties and usability of our products is provided for informational purposes only and does not constitute a guarantee of characteristics. The scope and content of our deliveries and services are determined solely by the respective contractual agreement. Technical data and illustrations are non-binding. We reserve the right to make changes at any time during technical developments.