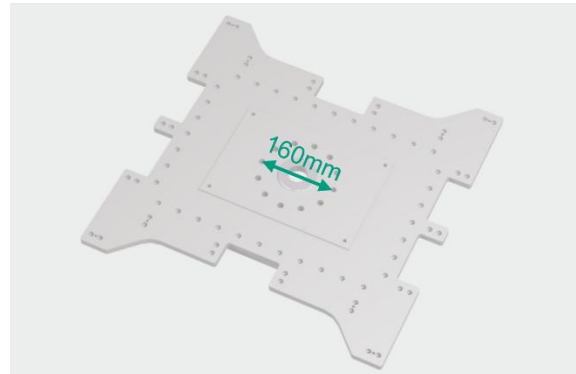


FFT *lightweight* FibreTEC H-Frame

Highlights:

- **W1 – FLW81000815**
- for FibreTEC Profil SW80
- connection plate suitable for robots
- rustproof and robust thanks to high-strength aluminum
- flexible use
- standard stock item and therefore available for quick delivery

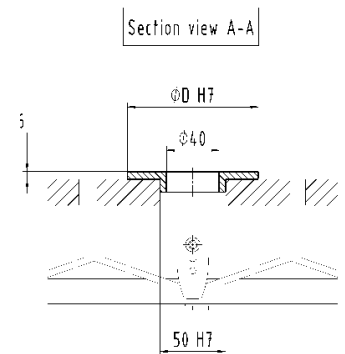
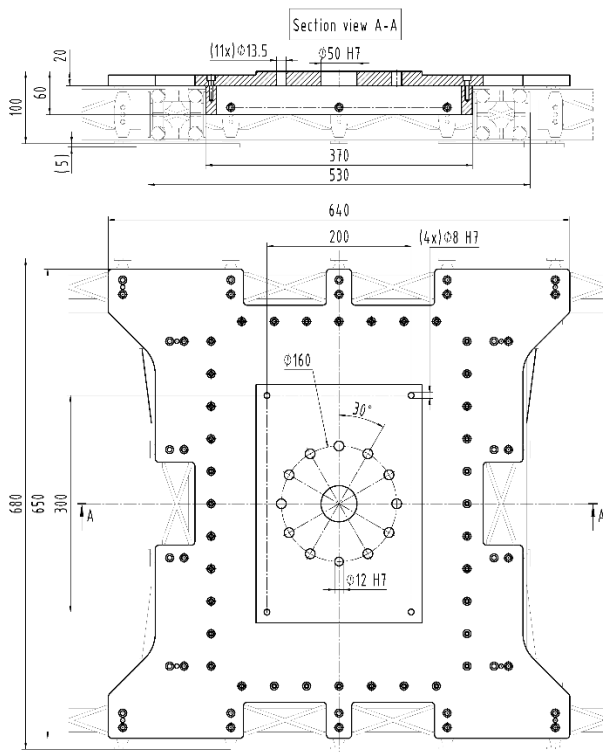


Basic Data	
Length	650 mm
Width	640 mm
Height	60 mm
Weight	16,8 kg
Hole pattern	Ø 160 mm
Centring bore	Ø 50H7
Material	EN AW-7075

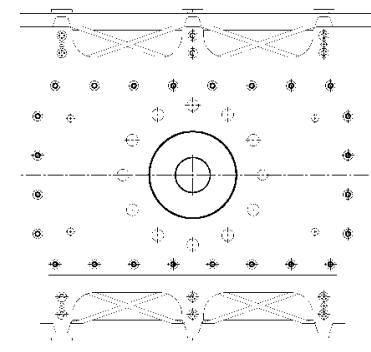
Optional centring rings in various sizes	
Ø 80, 100, 125, 145, 160	

Optional screw connection set	
Cylinder screws	ISO4762
	M6 x 30 – 10.9
Nordlock washer	NL 6
Cylinder pins	ISO08735
	6m6 x 28

Possible robot connections	
Kuka, Fanuc, ABB	



Example: Centring ring



All information regarding the properties and usability of our products is provided for informational purposes only and does not constitute a guarantee of characteristics. The scope and content of our deliveries and services are determined solely by the respective contractual agreement. Technical data and illustrations are non-binding. We reserve the right to make changes at any time during technical developments.