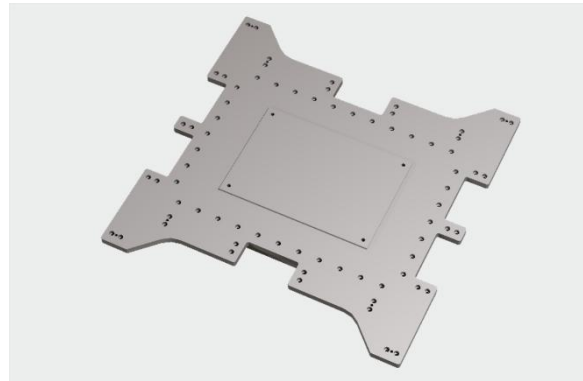


FFT *lightweight* FibreTEC H-Frame

Highlights:

- **W1 – FLW81000907**
- for FibreTEC Profil SW80
- connection plate suitable for robots
- rustproof and robust thanks to high-strength aluminum
- flexible use
- standard stock item and therefore available for quick delivery



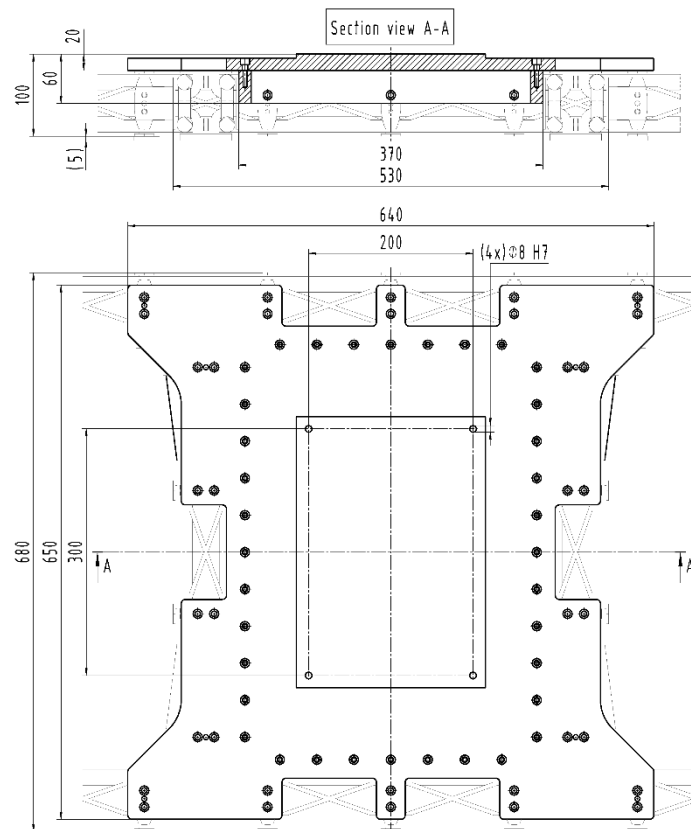
Basic Data	
Length	625 mm
Width	340 mm
Height	60 mm
Weight	9,4 kg
Material	EN AW-7075

Possible robot connections	
Kuka, Fanuc, ABB	

Optional centring rings in various sizes	
Ø 80, 100, 125, 145, 160	

Optional screw connection set	
Cylinder screws	ISO4762
	M6 x 30 – 10.9
Nordlock washer	NL 6

Cylinder pins	ISO08735
	6m6 x 28



All information regarding the properties and usability of our products is provided for informational purposes only and does not constitute a guarantee of characteristics. The scope and content of our deliveries and services are determined solely by the respective contractual agreement. Technical data and illustrations are non-binding. We reserve the right to make changes at any time during technical developments.