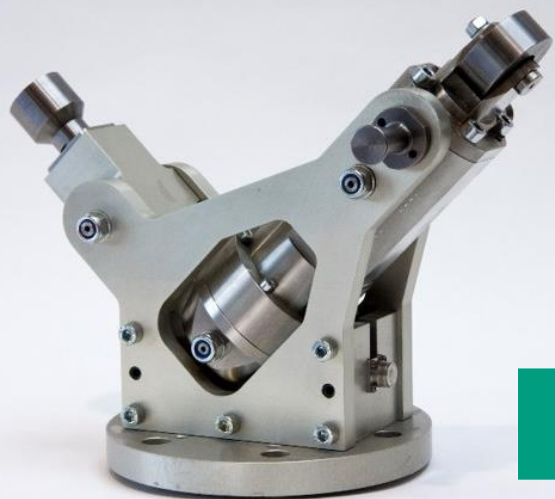




**FFT** *hemtec*  
**Single**



one step ahead in **INTELLIGENT** production systems



## **FFT***hemtec* **Single**

Roller Hemming Tools for Hang on Parts

1

### **FFT***hemtec* **Single S**

Spring Suspended Roller Hemming Head Modular System

2

### **FFT***hemtec* **Single F**

Rigid Roller Hemming Head Modular System

3

### **FFT***hemtec* **Single Y**

optimised access for curved parts

4

### **FFT***hemtec* **Single SA**

individual designs according to your requirements

1

## FFT*hemtec* Single S

Spring Suspended Roller Hemming Head  
Modular System

one step ahead in **INTELLIGENT** production systems

# HEMMING TOOL

**FFT***hemtec* **Single S** – Spring Suspended Roller Hemming Head

## Features

- Roller Bracket and Hemming Roller selectable from modular system
- optimized process quality and fault tolerance
- part tolerances can be influenced by robot program
- no media supply required
- hemming force measurement for quality and process control

## Hemming Geometry

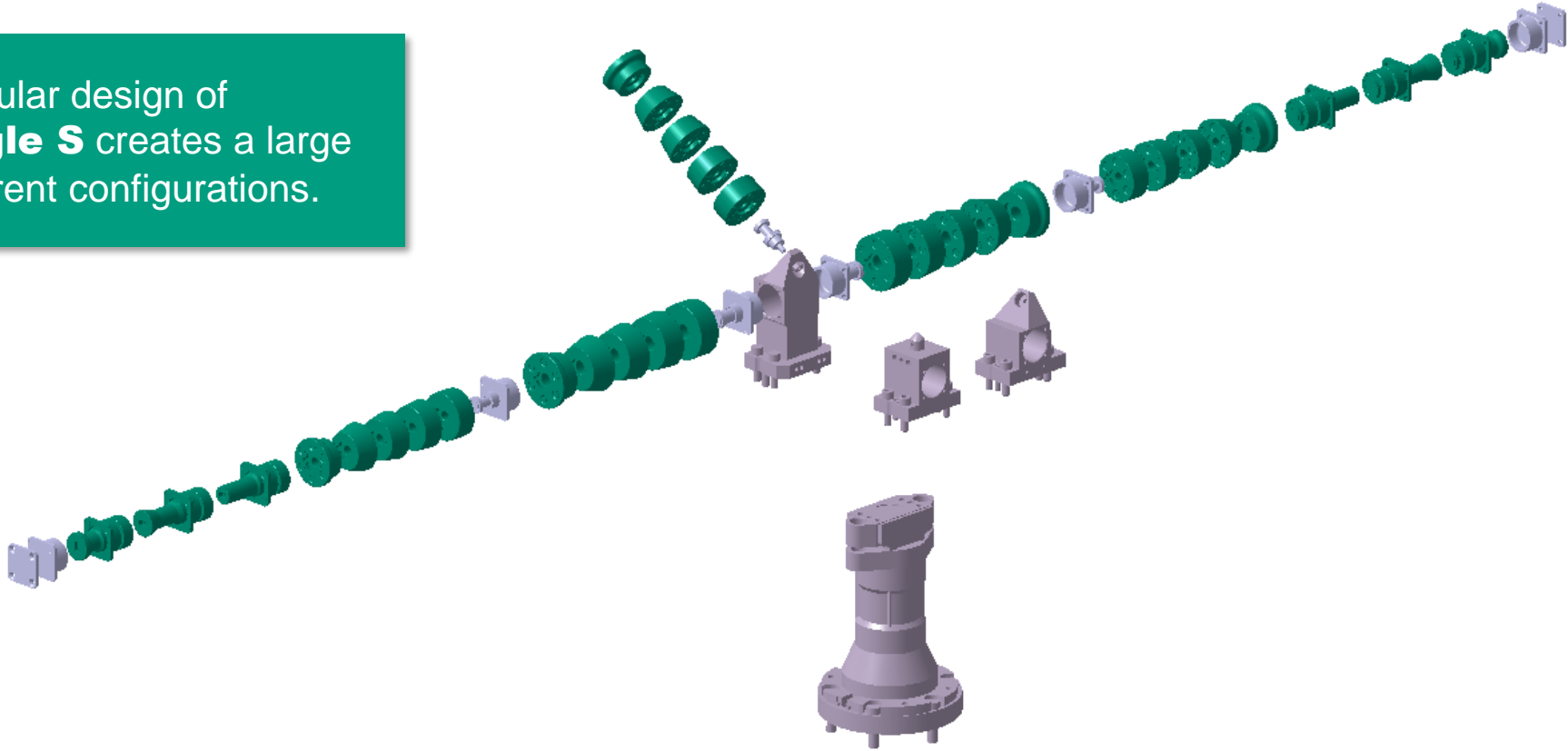
- flat, rope and special hem at steel and aluminium parts



# HEMMING TOOL

**FFT***hemtec* **Single S** – Modular System

The modular design of **FFT***hemtec* **Single S** creates a large variety of different configurations.



# 2

## FFT*hemtec* Single F

Rigid Roller Hemming Head  
Modular System



one step ahead in INTELLIGENT production systems

# HEMMING TOOL

**FFT***hemtec* **Single F** – Rigid Roller Hemming Head

## Application

- Doors
- Hoods, Tailgates
- Fenders
- Side Panels

## Heming Geometries

- flat hem
- rope hem
- special hem geometries at steel and aluminium parts

## Features

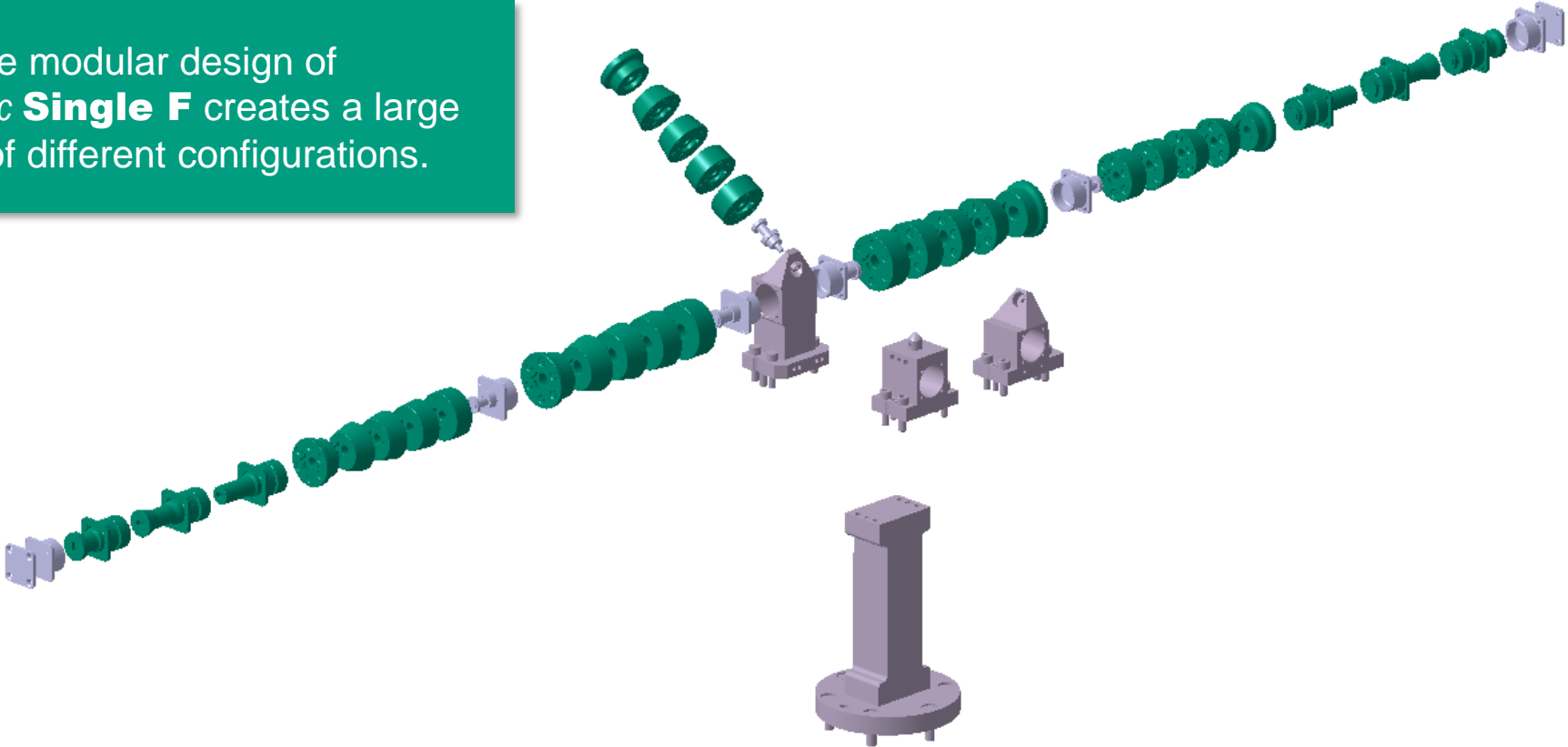
- Roller Bracket and Hemming Roller selectable from modular system
- optimized process quality and fault tolerance
- part tolerances can be influenced by robot program
- no media supply required
- rigid base can easily be exchanged by **FFT***hemtec* **Single S** without changing the robot program



# HEMMING TOOL

**FFT***hemtec* **Single F** – Modular System

The modular design of **FFT***hemtec* **Single F** creates a large variety of different configurations.





3

## FFT*hemtec* Single Y

optimised access for curved parts



one step ahead in **INTELLIGENT** production systems

# HEMMING TOOL

**FFT***hemtec* **Single Y**

## Application

- Hoods, Tailgates
- Fender

## Hemming geometry

- flat hem
- rope hem
- special hem geometries at steel and aluminium parts

## Features

- Roller Bracket and Hemming Roller selectable from modular system
- optimized process quality and fault tolerance
- part tolerances can be influenced by robot program
- no media supply required
- hemming force measurement for quality and process control
- optimised robot axis configuration at curved parts (e.g. Hoods)

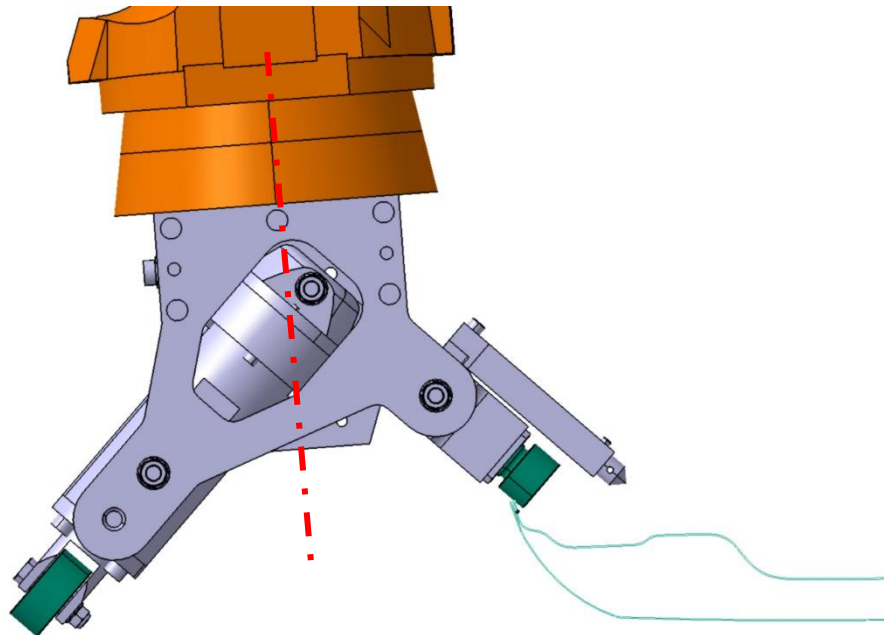


# FFT*hemtec* Single Y

FFT*hemtec* **Single Y** – Optimized Accessibility at Curved Parts

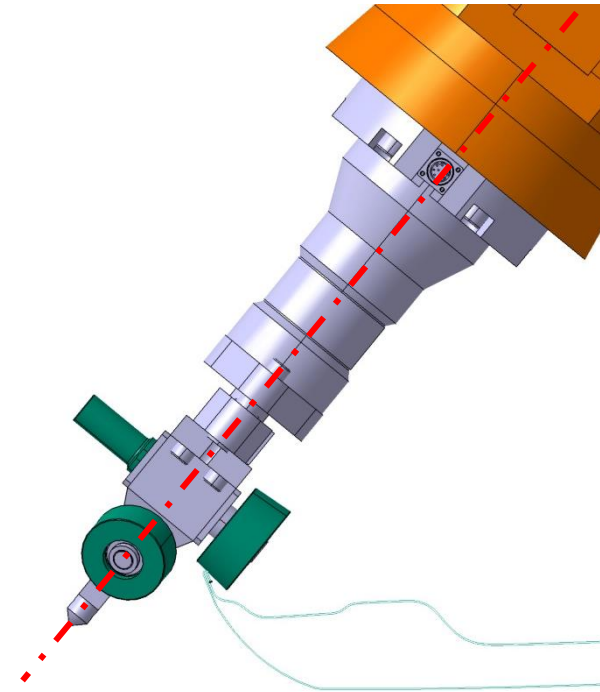
## FFT*hemtec* Single Y

robot axis outside part geometry  
 → lower interfering edge for Downholder design



## FFT*hemtec* Single S

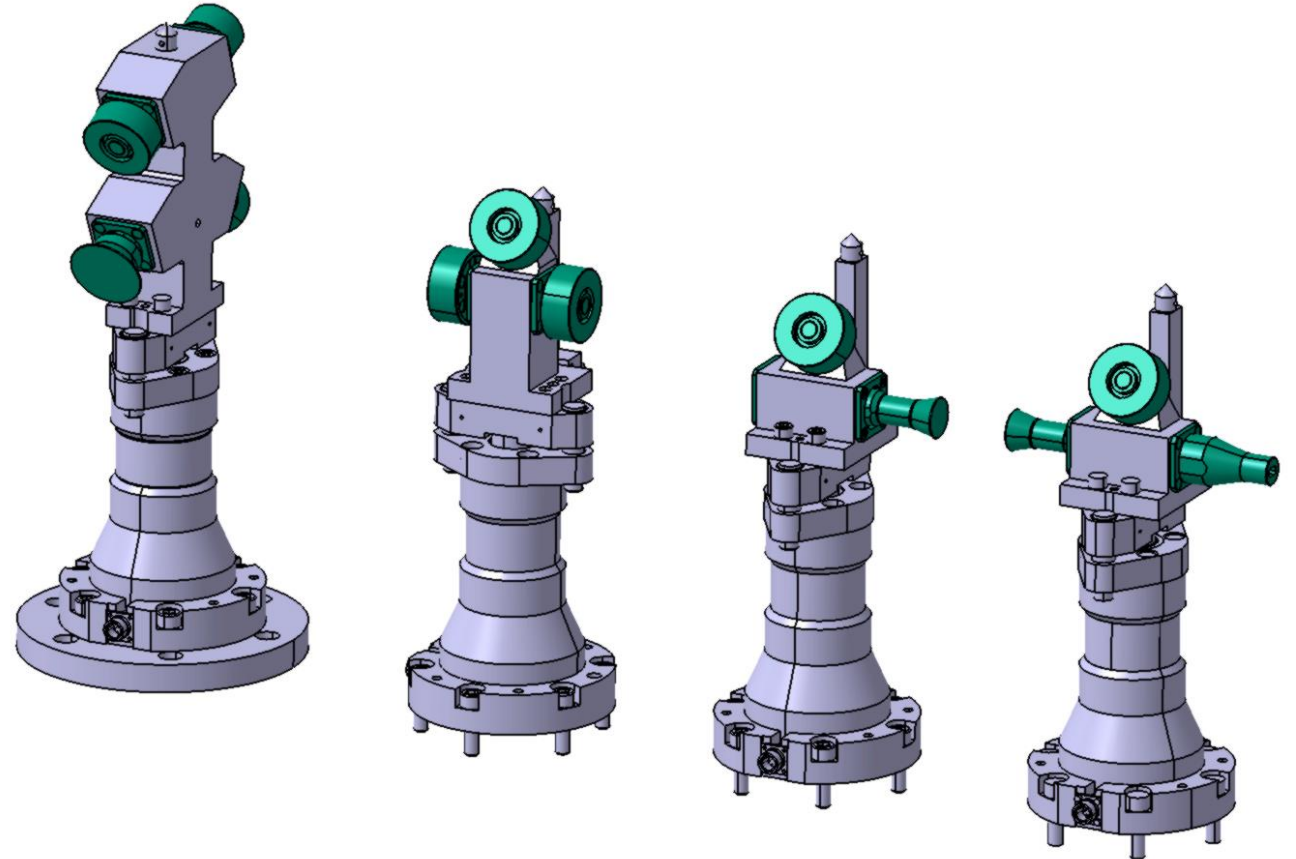
robot axis above the part



# 4

## FFT*hemtec* Single SA

individual designs according to your requirements



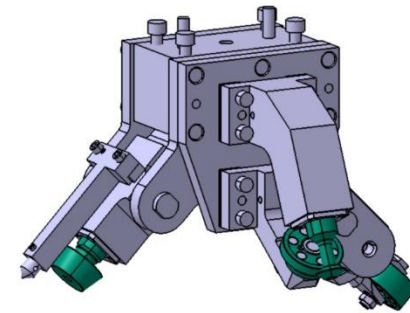
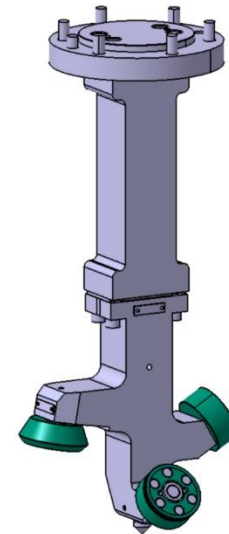
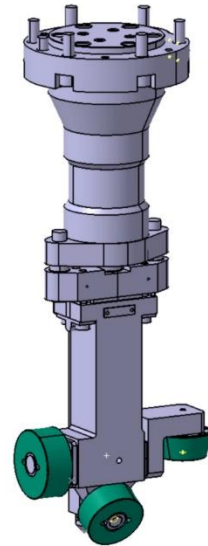
one step ahead in **INTELLIGENT** production systems

# SPECIAL SOLUTIONS

**FFT*hemtec* Single SA** - Are you looking for a customized solution?

**individual designs according to  
your requirements**

It is our pleasure to design  
and manufacture roller  
hemming heads individually  
according to your  
requirements.



# SERVICE OPTIONS

We support your project from the idea to the realization and gladly beyond.



We take into account quality and deadline requirements and we assume the responsibility for the project until turnkey handover.



## Consulting

Use our experience for your tasks



## Project Management

Support from the idea to the start of production



## Risk Analysis

Identification of risks in the process



## Custom design

Creation of individual solutions



## Manufacturing

Successful manufacturing with modern technologies



## Documentation

Clear and logical



## Conformity

Compliance with standards and regulations



## After Sales

Competent service through FFT



# CONTACT

## Your personal contact person

---

Karsten Heil  
Department Manager Hemming Technology

FFT Produktionssysteme GmbH & Co. KG  
Schleyerstraße 1, DE-36041 Fulda  
Tel.: +49 (0) 661 2926 - 593  
Mobil: +49 (0) 151 – 52847845  
E-Mail: [Karsten.Heil@fft.de](mailto:Karsten.Heil@fft.de)  
[www.fft.de](http://www.fft.de)



# THANK YOU

Feel free to contact us.

WWW.FFT.DE | INFO@FFT.DE  
TEL.: +49 (0) 661 2926-0

