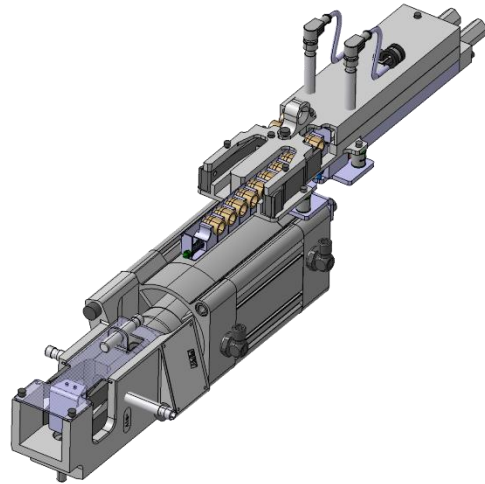


FFT*weldtec* Mobile TipChanger

Highlights:

- Increase off the availability and productivity
- Cost savings due to reduced wear electrode shafts
- Change on different shafts
- Minimal space requirements
- Short time for change
- Easy to program the change process
- Compact design, carry on grab possible
- Quick-change magazine



Basic Data

Length	705 mm
Width	185 mm
Height	285 mm
Weight	10,5 kg
Protection class	IP65

Operating Conditions

Ambientes temperature	-5 bis 50°C
-----------------------	-------------

Media supply

Compressed air	min. 5,5bar, max 6,0 bar
Rated voltage	24 Volt

Technical Data

Cycle time of change	approx. 20 sec
Capacity of magazine	10 caps per side
Min. electrode distance	45 mm
Electrode cap	Standard F13-F16
Space Cap/Shaft	min.3mm, max. 6mm

